



L U X V I E W

WALL



ADAPTABLE FRAME DEPTH
Based on size & performance requirements

MINIMAL SIGHT LINES
Structural fin options to suit your design requirements

MULTIPLE GLAZING OPTIONS
Increased structural, thermal & acoustic performance

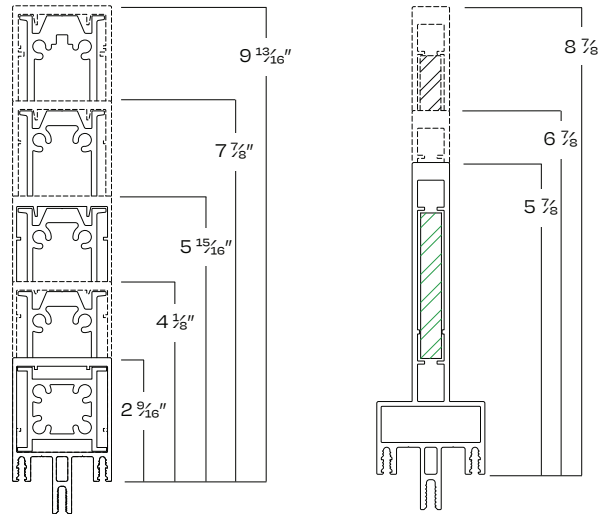
MAXIMUM GLAZING UP TO 25FT HIGH
Total sq ft based on wind load & other conditions

Wall, by LuxView, is your creative canvas. Featuring massive glass facades, minimalist style, and architectural solutions, each Wall system is custom designed to spec. Work with a LuxView design specialist to see the possibilities for your space.

- Customizable mullion depth
- Minimal sight lines
- High-performance frames
- Expansive sizes
- Mullable products include Pivot, Tilt+Turn, and Swing

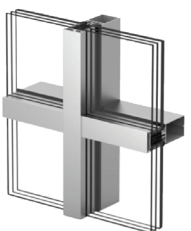
🌀 Florida HVHZ certified options

Mullion Depths



Box Mullion

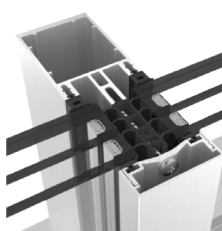
Blade Mullion



Box Mullion



Blade Mullion



Thermally-broken Profile